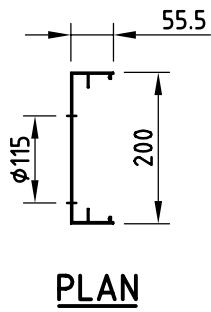
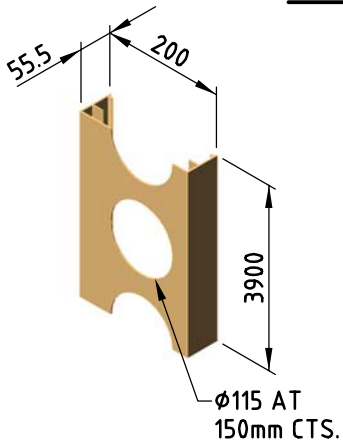


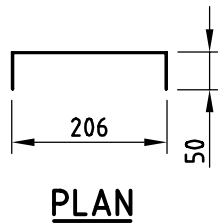
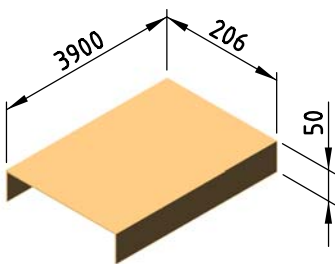
200mm SERIES PROFILES



200P-CF CORNER FITTING

Description: The 200P-CF is used in conjunction with the 200P-3 profile to form corner profile. This profile is essentially the 200P-EC with factory-drilled holes. The holes of the 200P-CF match up with the holes on the 200P-3. This allows the placement of reinforcement and also the flowing of concrete.

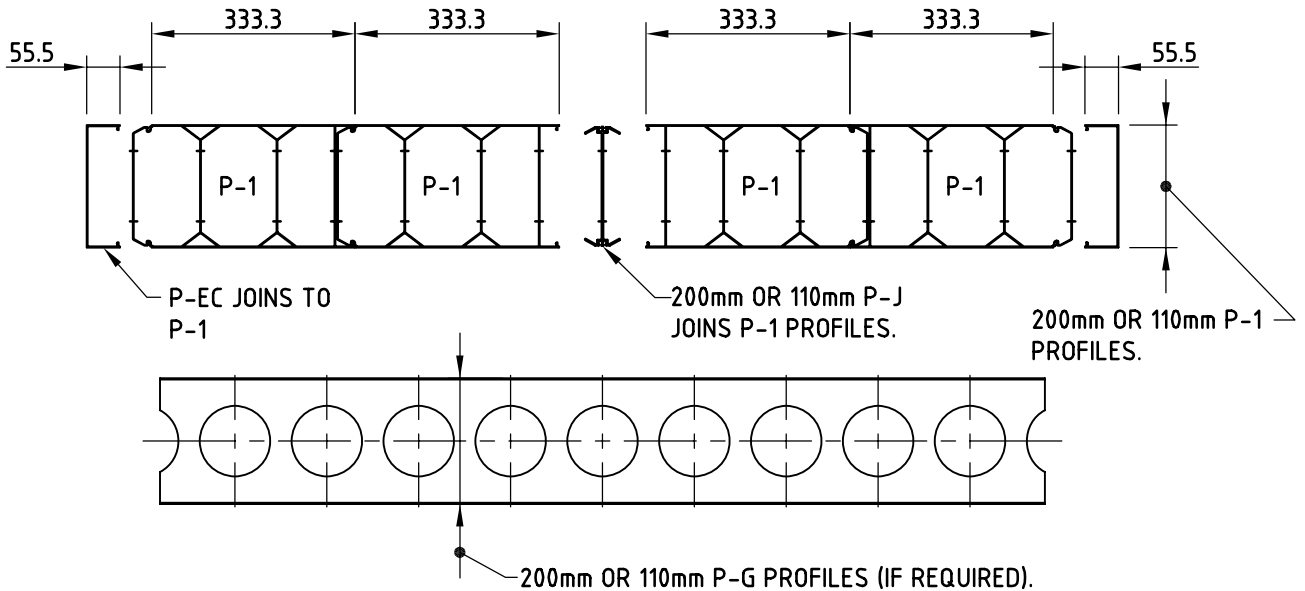
Method of Sale: Available only in stock lengths of 3900mm.



200P-TC TOP CAP

Description: The 200P-TC can be used as a capping on top or end of a wall made out of vertically or horizontally placed 200P-1 main profiles. This profile is essentially the 200P-G without any holes.

Method of Sale: Available only in stock lengths of 3900mm.



PLAN - PROFILES FOR WALL ASSEMBLY

